



Technische informatie:

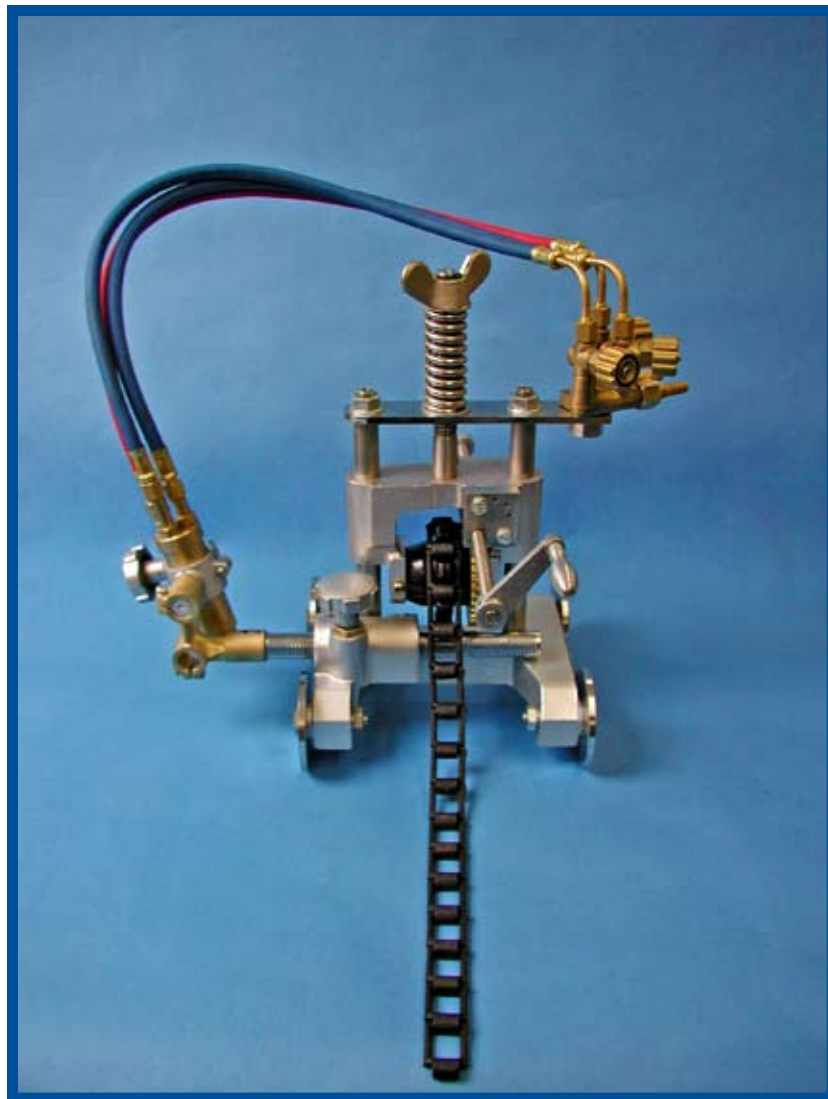
Pijpsnijmachine - 980010

TOEPASSING

De pijpsnijmachine is een handaangedreven machine voor het snijden van buizen, van 114 tot 600 mm

FUNCTIONEREN

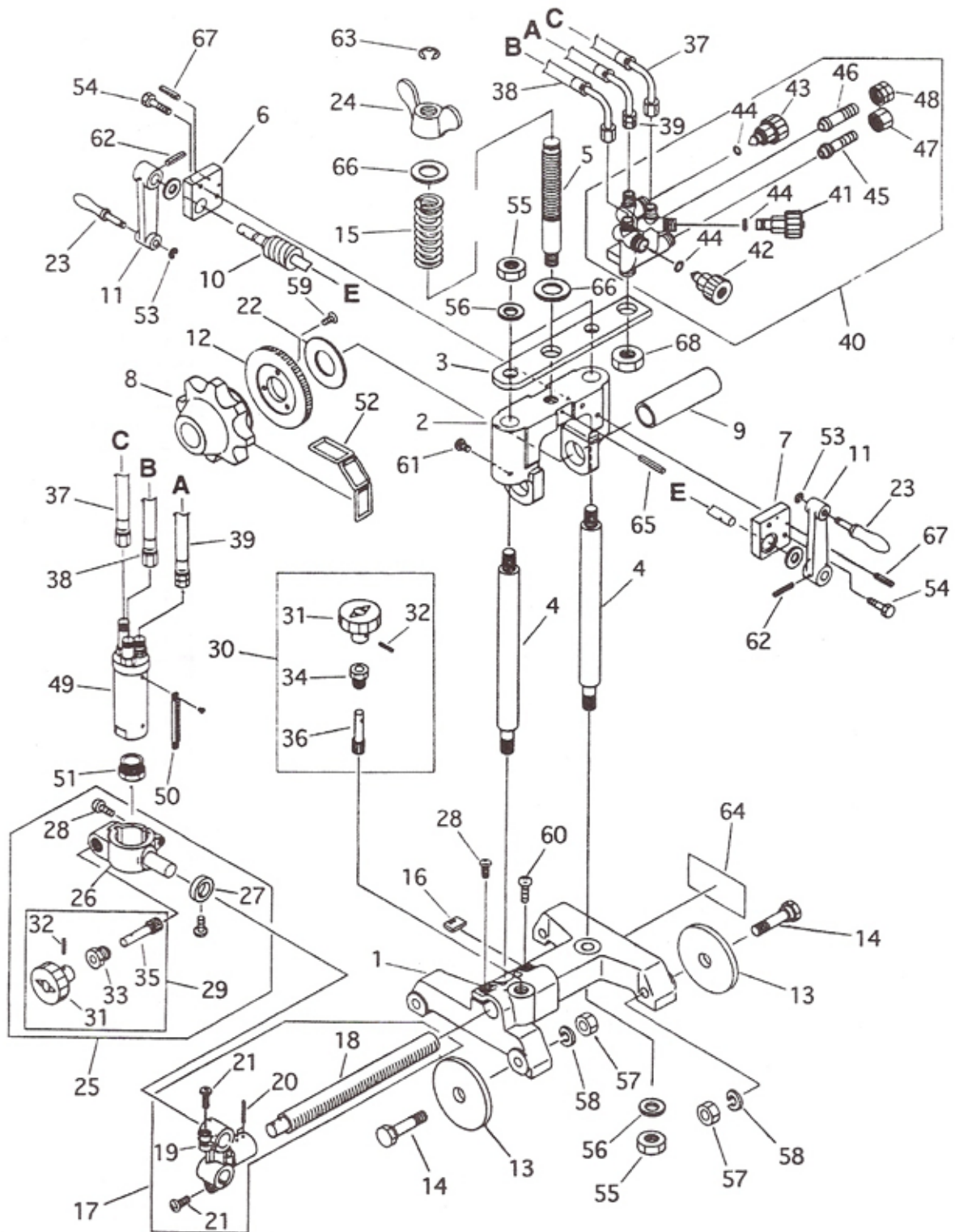
De machine is voor Acetyleen als voor Propaan geschikt door het gebruik van Nozzle Mix snijmondstukken. Voor verder gebruiksinformatie zie de handleiding.



Apparatenfabriek Kentie BV
Stationsstraat 79-81 | 2641 GK PIJNACKER
T: +31 (0)15 369 2412 | F: +31 (0)15 369 3033 | @: service@kentie.info

9 Parts list

9.1 Main units



Main and driving units

ITEM No.	PART NAME	QTY	REMARKS
1	Body	1	
2	Slide bracket	1	
3	Upper plate	1	
4	Slide shaft	2	
5	Lift shaft	1	
6	Worm metal(right)	1	With Du bush
7	Worm metal(left)	1	With Du bush
8	Sprocket	1	
9	Sprocket shaft	1	
10	Worm shaft	1	With worm
11	Grip arm	2	
12	Worm wheel	1	
13	Wheel	4	
14	Wheel shaft	4	
15	Spring	1	
16	Key	1	
17	Torch holder support assembly	1	
18	Bar	1	
19	Torch holder base	1	
20	Spring pin(PR-3×25)	2	φ 3×25
21	Screw(SP-6×16)	2	M6×16
22	Collar(A)	1	
23	Grip	2	
24	Wing nut	1	
25	Torch holder assembly	1	
26	Torch holder	1	
27	Angle graduation ring	1	With screw
28	Screw(SP-6×16)	2	M6×16
29	Up/down handle assembly	1	
30	Cross feed handle assembly	1	
31	Handle(φ 40)	2	φ 2.5×16
32	Spring pin(PR-2.5×16)	2	φ 2.5×16
33	Pinion metal	1	
34	Pinion metal	1	

ITEM No.	PART NAME	QTY	REMARKS
35	Pinion	1	
36	Pinion	1	
37	Hose for Jet oxygen	1	M12×560 Except USA,KE
	Hose for Jet oxygen	1	M12×560 USA only
	Hose for Jet oxygen	1	M12×560 KE only
38	Hose for preheat oxygen	1	M12×560 Except USA
	Hose for preheat oxygen	1	M12×560 USA only
39	Hose for gas	1	M12×560Left Except USA
	Hose for gas	1	M12×560Left USA only
40	Distributor	1	Except USA,KE
	Distributor	1	USA only
	Distributor	1	KE only
41	Valve for Jet oxygen	1	Except KE
	Valve for Jet oxygen	1	KE only
42	Valve for preheat oxygen	1	Except KE
	Valve for preheat oxygen	1	KE only
43	Valve for gas	1	
44	O-ring		KS-5
45	Hose connector(ox)	1	Except USA
	Hose connector(ox)	1	KE only
46	Hose connector(Gas)	1	Except USA
	Hose connector(Gas)	1	KE only
47	Nut for oxygen	1	Except USA
	Nut for oxygen	1	KE only
48	Nut for gas	1	Except USA
	Nut for gas	1	KE only
49	Torch	1	Except USA,KE
	Torch	1	USA only
	Torch	1	KE only
50	Rack	1	With screw
51	Tip fixing nut	1	
52	Chain	1	1.0M
	Chain	1	2.4M
53	Stop ring	2	RS-5

Main and driving units

TEM No.	PART NAME	QTY	REMARKS
54	Hexagon bolt(BH-6 × 25)	4	M6 × 25 With WS
55	Hexagon nut(NH-12)	4	M12
56	Washer(WF-12)	4	M12
57	Hexagon nut(NH-10)	4	M12
58	Washer(WS-10)	4	M10
59	Screw(SF-5 × 10)	3	M5 × 10
60	Screw(SP-3 × 15)	2	M3 × 15
61	Screw(SP-5 × 12)	1	M5 × 12
62	Spring pin(PR-2.5 × 20)	2	2.5 φ × 20
63	Stop ring	1	RS-10
64	Name plate	1	
65	Spring pin(PR-3 × 32)	1	φ 3 × 32
66	Washer(WF-18)	2	M18
67	Spring pin(PR-2.5 × 20)	4	φ 2.5 × 20
68	Hexagon nut(NH-16)	1	M16